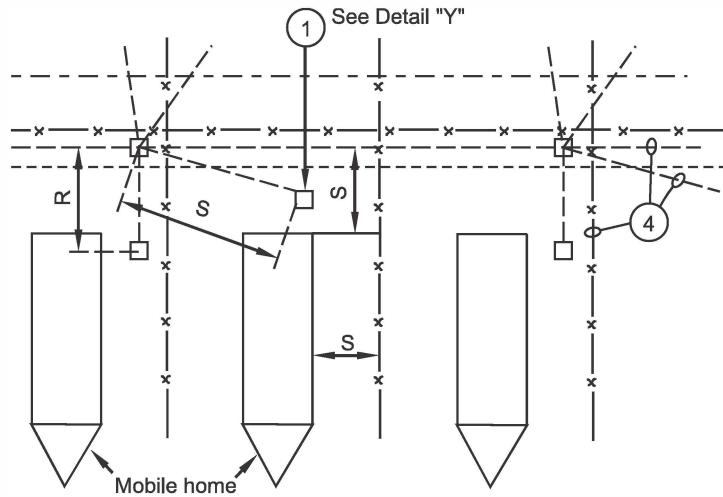


# U704.1

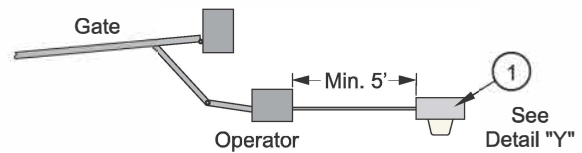
UNDERGROUND STANDARD  
Version B - SEP 2021



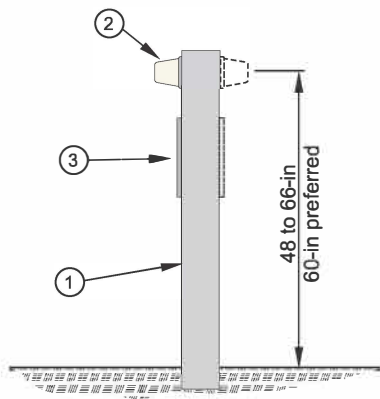
**PEDESTAL LOCATIONS  
MOBILE HOME PARK**

**NOTES:**

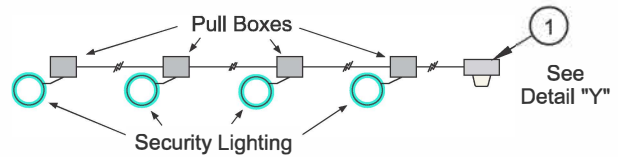
- A. If the consumer owned service pedestal with meter is to be placed between a fence and the mobile home distance "S" should be a minimum of 5-feet to allow working space.
- B. Leave a minimum of 5-feet working space for face of meter to any obstruction.
- C. Distance "R" will be mutually agreed upon by the developer and the Oklahoma Gas and Electric Company.
- D. When commercial pedestals are to be used the developer shall verify with the Oklahoma Gas and Electric Company that the pedestal is acceptable.



**PEDESTAL EXAMPLE  
ELECTRICAL OPERATED GATE**



**CONSUMER'S PEDESTAL  
DETAIL "Y"**



**PEDESTAL EXAMPLE  
SECURITY LIGHTING**

Item No.	Description	Furnished by		Installed by	
		OG&E	Consumer	OG&E	Consumer
1	Consumer Metering Pedestal		X		X
2	Meter	X		X	
3	Service Equipment		X		X
4	Secondary Conductors	X		X	

**CONSUMER SERVICE INSTALLATION FOR  
SECURITY LIGHTING, GATES, OR MOBILE HOME PARKS ONLY**

SUPERSEDES MAY 2016 ISSUE

APPROVED

The following is a suggested configuration for meter bases for overhead and underground meters in residential and commercial applications. OGE Energy Corp., its subsidiaries and affiliates, disclaim any and all liability for the construction or maintenance practices relating to such suggested configuration. Each individual, company, or entity engaging the work associated with this configuration bears full responsibility for its, his, or her own occupational training, and compliance with all applicable local, state, and national laws and regulations. The configuration is not intended to replace the training, know-how, or instruction that may be needed for safe construction or maintenance.