

ITEM Number	DESCRIPTION	FURNISHED BY		INSTALLED BY	
		O.G.&E.	CONSUMER	O.G.&E.	CONSUMER
1	Service Lateral	X		X	
‡ 2	Service Lateral Raceway		X		X
** 3	Current Transformer Enclosure	X			X
+ 4	Transformer rated Meter Base	X			X
5	Service Equipment		X		X
6	Metering Conduit 1-inch		X		X
7	Meter	X		X	
* 8	Grounding Electrode & Grounding Electrode Conductor		X		X

‡ Size and number of conduits as specified by OG&E
 + Alternate location is shown dotted
 ** Current transformer enclosure shall be bonded to neutral block
 * Not shown

Notes:

- Where metering equipment is exposed to vehicular traffic a protective pipe should be installed in concrete 4-ft in front of metering equipment.
- Wiring from CTs to meter is not to exceed 20 feet in total length.
- OG&E equipment is to be installed on outside surface of structure and is not to be recessed.
- Refer to U16 for proper identification and marking.
- Refer to U760 & U760.1 for metering requirements.
- CT Cabinet is not to be used for equipment grounds or as a raceway.**

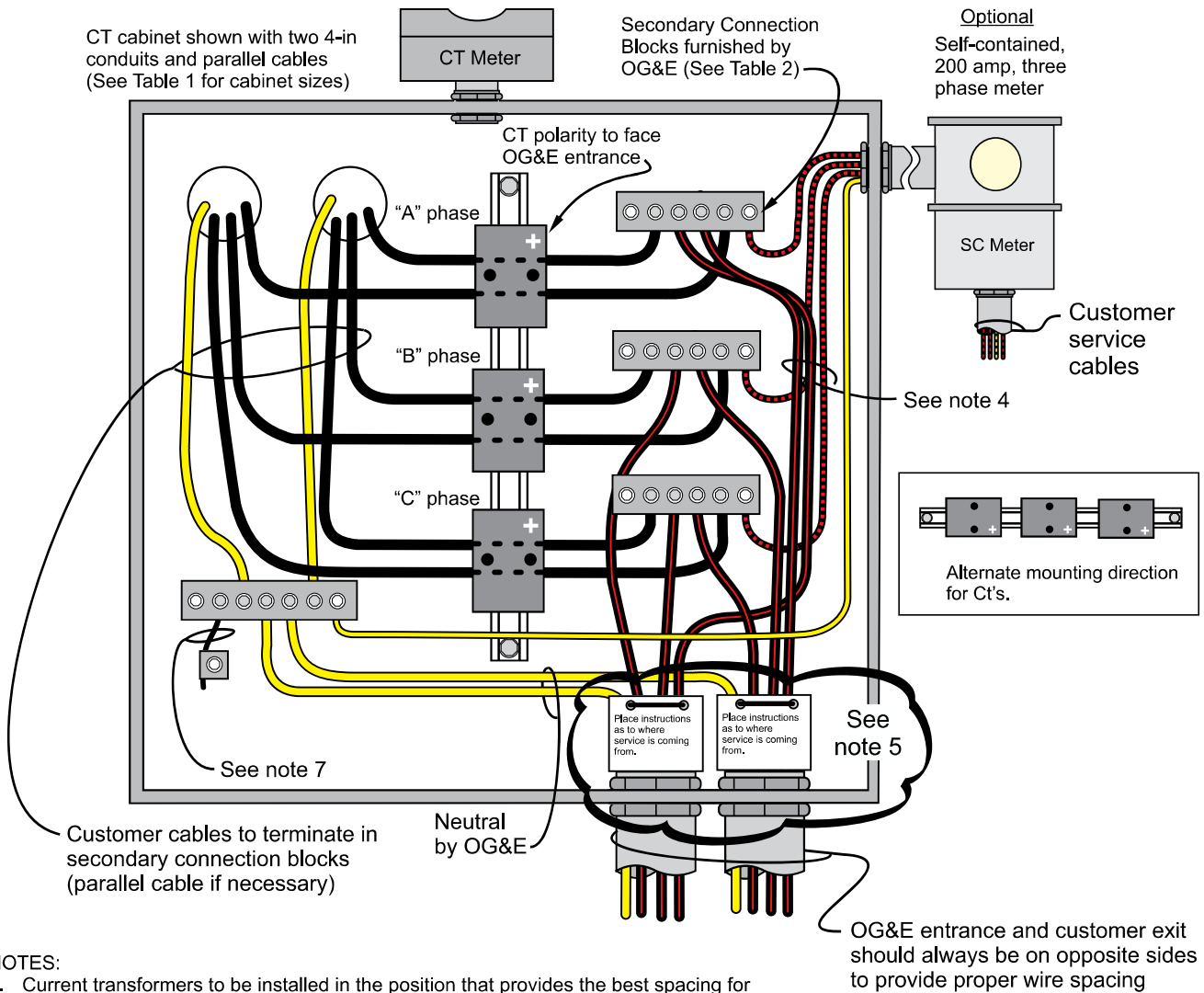
**METER INSTALLATION
FOR CURRENT TRANSFORMER METERING
SINGLE AND EXISTING 3 PHASE ONLY
800A MAXIMUM**

SUPERSEDES AUG 2019 ISSUE

The following is a suggested configuration for meter bases for overhead and underground meters in residential and commercial applications. OGE Energy Corp., its subsidiaries and affiliates, disclaim any and all liability for the construction or maintenance practices relating to such suggested configuration. Each individual, company, or entity engaging the work associated with this configuration bears full responsibility for its, his, or her own occupational training, and compliance with all applicable local, state, and national laws and regulations. The configuration is not intended to replace the training, know-how, or instruction that may be needed for safe construction or maintenance.
APPROVED Signatures on File

U765.1

UNDERGROUND STANDARD
Version I - JUN 2021



NOTES:

1. Current transformers to be installed in the position that provides the best spacing for line and load conductors.
2. Service and metering connections made by OG&E.
3. Verify that customer has established a driven ground at their main switch panels.
4. Position supply cable to center of connector block.
5. Place identifying tag on service conductors with information relating to where service is coming from (pedestal, transformer, pipe or no pipe under driveway.) Refer to U16.
6. Wiring from CTs to CT meter is not to exceed 20 feet in total length.
7. OG&E to bond CT cabinet to neutral block using #6AWG copper wire.
8. Secure connection box #428962 with (3) Mac-It head bolts (3/8" x 1") #301404 upon energizing.
9. **Not to be used for equipment grounds or as a raceway.**

TABLE 1

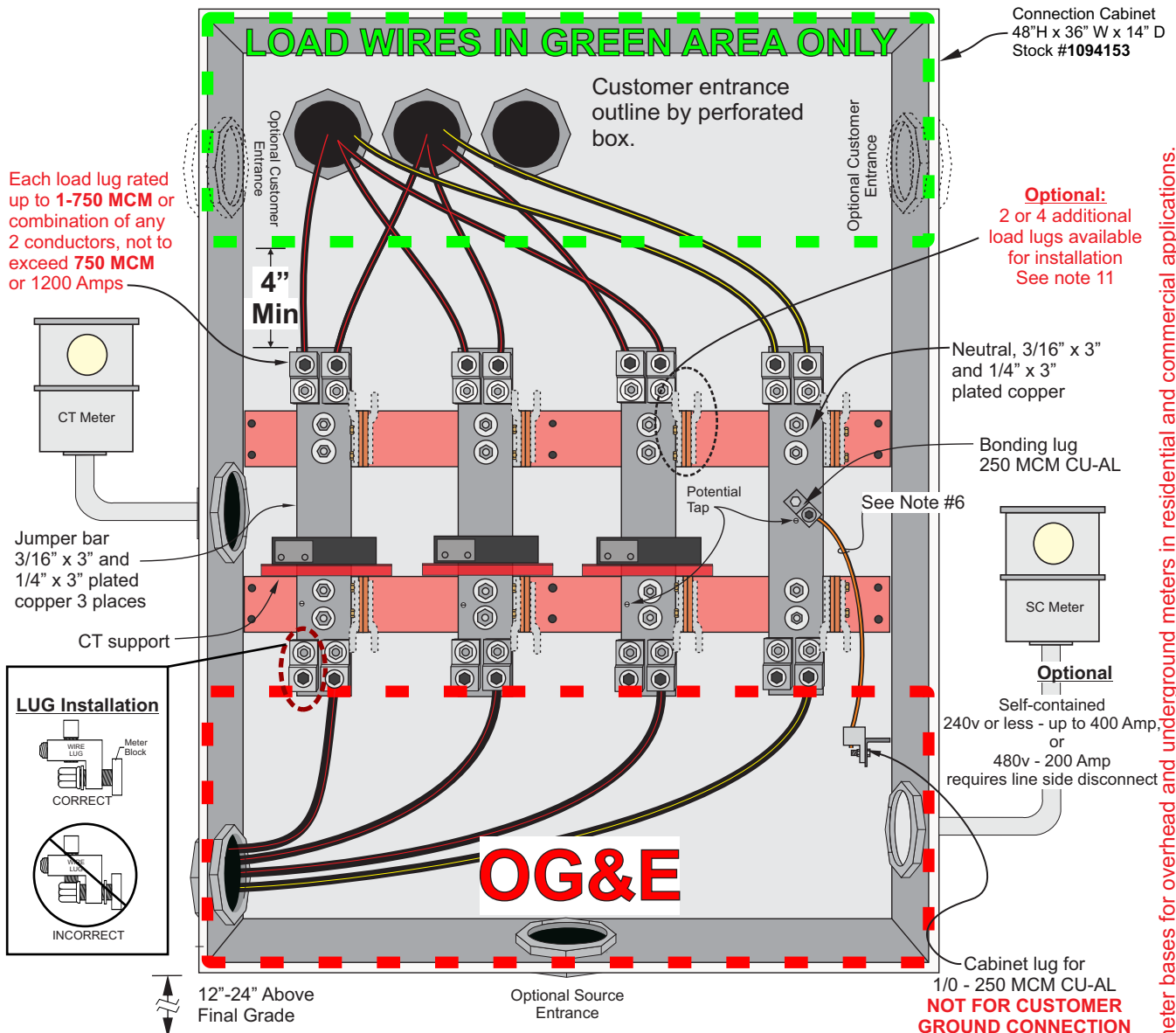
STOCK ACCOUNT	CABINET DIMENSIONS
428962	30 x 36 x 14

CONNECTOR BLOCKS TABLE 2

STOCK ACCOUNT	SECONDARY TAPS	SERVICE TAPS	MAX CURRENT
264358	2 6-AWG thru 350-KCMIL	2 6-AWG thru 350-KCMIL	600
264195	2 6-AWG thru 500-KCMIL	4 6-AWG thru 500-KCMIL	800
1019876	2 0-AWG thru 750-KCMIL	4 0-AWG thru 750-KCMIL	1200
264224	2 0-AWG thru 750-KCMIL	8 0-AWG thru 750-KCMIL	1200

**CONNECTION DIAGRAM
WITH OPTIONAL SELF-CONTAINED METER
SINGLE OR EXISTING 3 PHASE ONLY 800A MAX**

The following is a suggested configuration for meter bases for overhead and underground meters in residential and commercial applications. OGE Energy Corp., its subsidiaries and affiliates, disclaim any and all liability for the construction or maintenance practices relating to such suggested configuration. Each individual, company, or entity engaging the work associated with this configuration bears full responsibility for its, his, or her own occupational training, and compliance with all applicable local, state, and national laws and regulations. The configuration is not intended to replace the training, know-how, or instruction that may be needed for safe construction or maintenance.



NOTES:

1. Refer to U760 for Metering Guidelines.
2. Service and metering connections made by OG&E.
3. Verify that customer has established a driven ground at their main switch panels.
4. Place identifying tag on service conductors with information relating to where service is coming from (pedestal, transformer, pipe or no pipe under driveway.) Refer to U16.
5. Wiring from CTs to CT meter is not to exceed 20 feet in total length.
6. OG&E to bond CT cabinet to neutral block using min. 1/0 AWG copper wire.
7. Secure connection box with series #1 padlock #301236 upon energizing.
8. Current Transformers to be installed by OG&E meter department.
9. **Not to be used for equipment grounds or as a raceway.**
10. Center of meters must be placed 48" to 60" above final grade.
11. **To minimize Arc Flash Hazards, 480V Applications MUST NOT terminate conductors on the right face of the terminal spade.**

**CONNECTION DIAGRAM
1200 AMP, CT METER INSTALLATION
WITH OPTIONAL SELF-CONTAINED METER**

APPROVED
SUPERCEDES JUN 2021 ISSUE

"The following is a suggested configuration for meter bases for overhead and underground meters in residential and commercial applications. OGE Energy Corp., its subsidiaries and affiliates, disclaim any and all liability for the construction or maintenance practices relating to such suggested configuration. Each individual, company, or entity engaging the work associated with this configuration bears full responsibility for its, his, or her own occupational training, and compliance with all applicable local, state, and national laws and regulations. The configuration is not intended to replace the training, know-how, or instruction that may be needed for safe construction or maintenance."